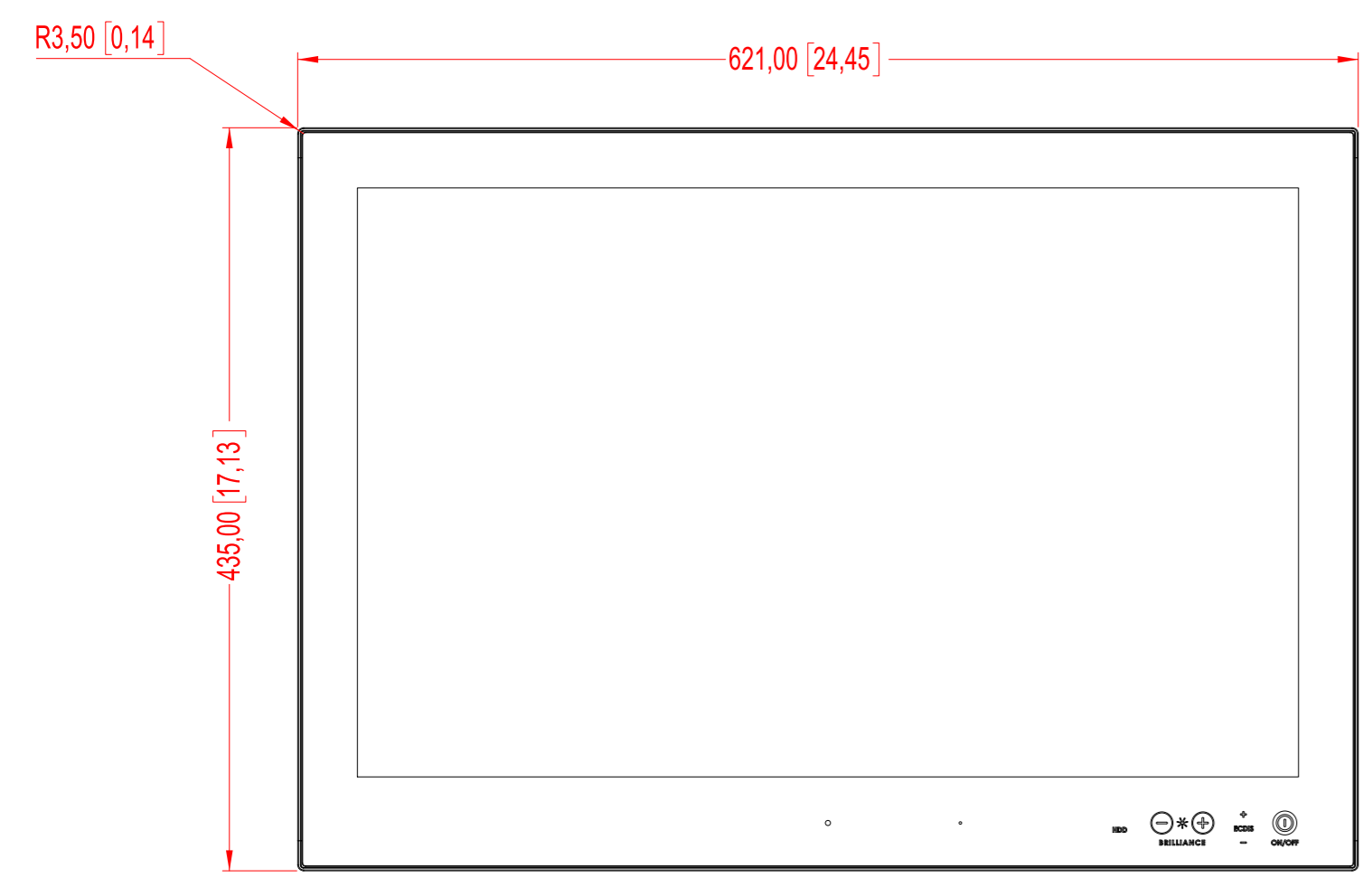
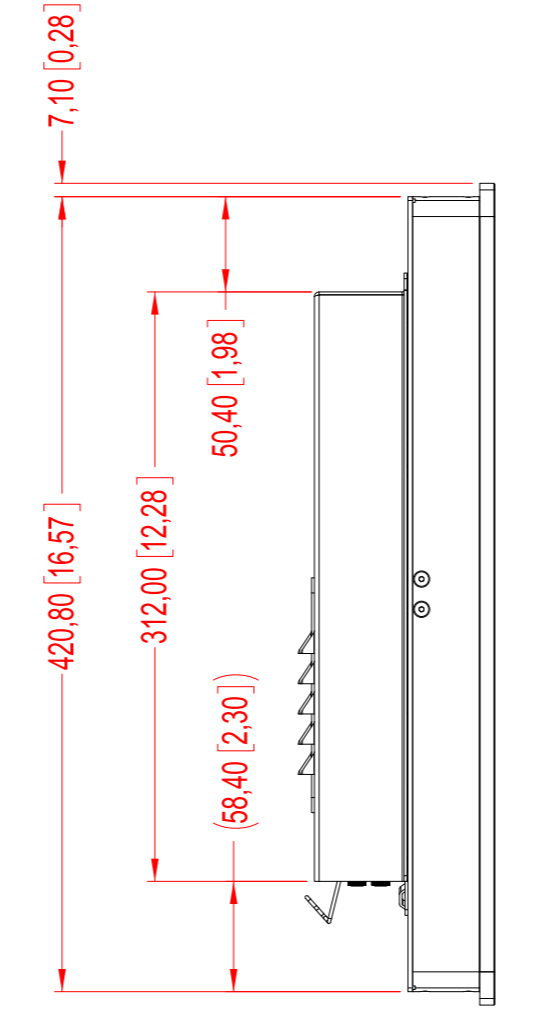


This document is the property of Hatteland Technology AS.
 This document and any authorized reproduction thereof, must not be used in
 any way against the interest of Hatteland Technology AS.
 Any authorized reproduction, in whole or in part, must include this legend.

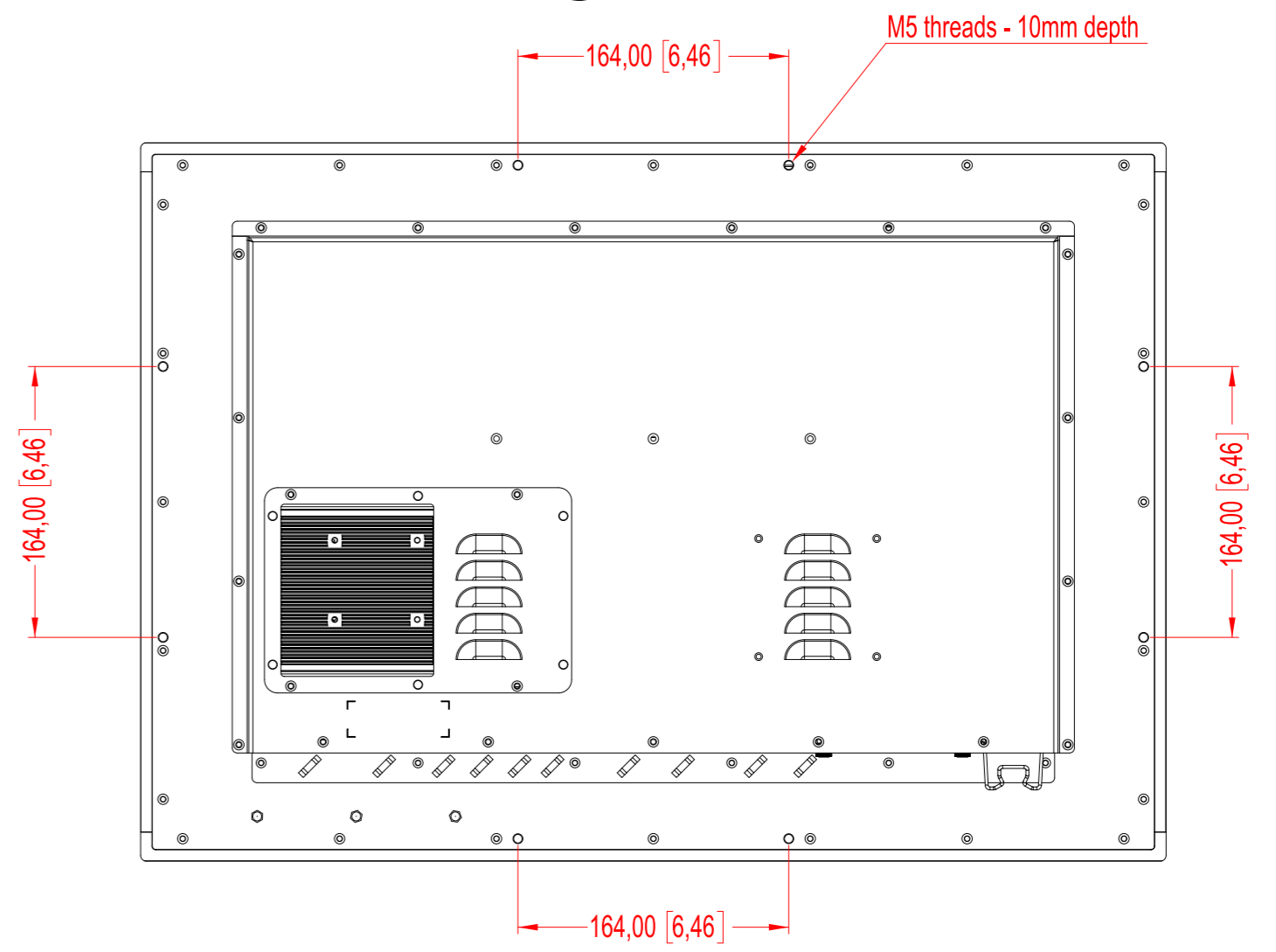
FRONT VIEW



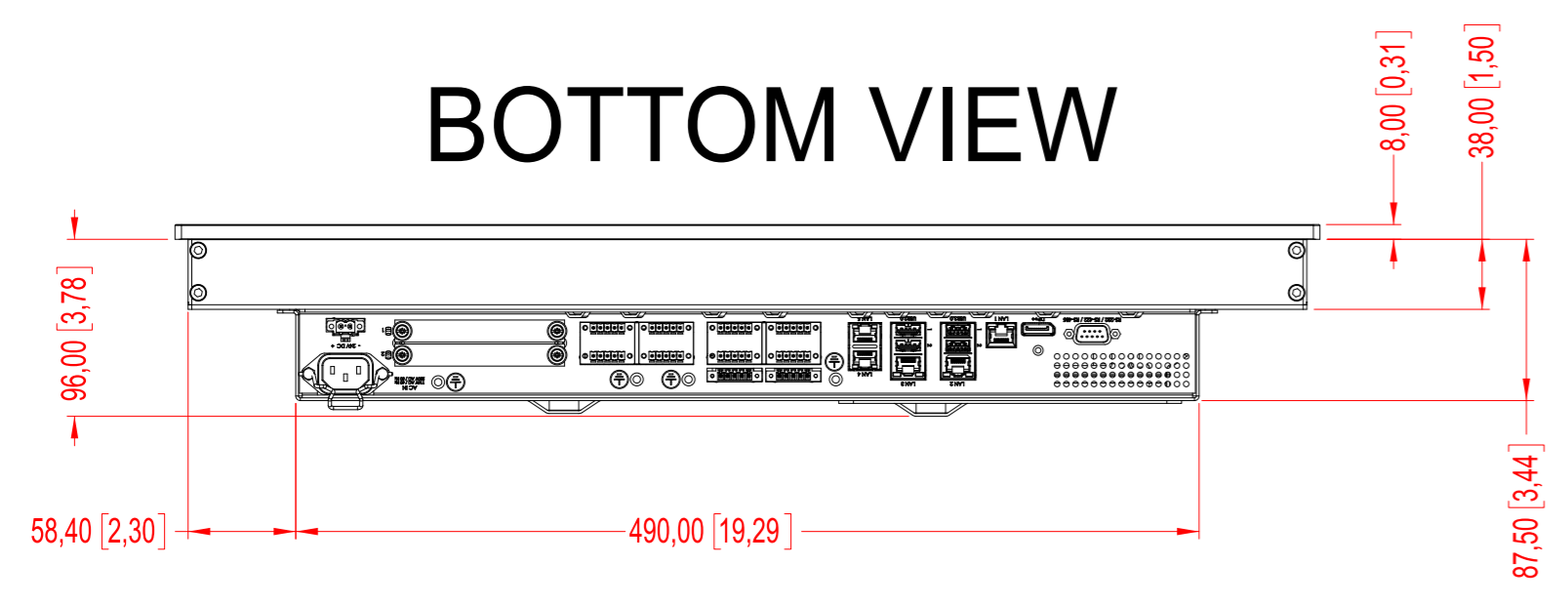
SIDE VIEW



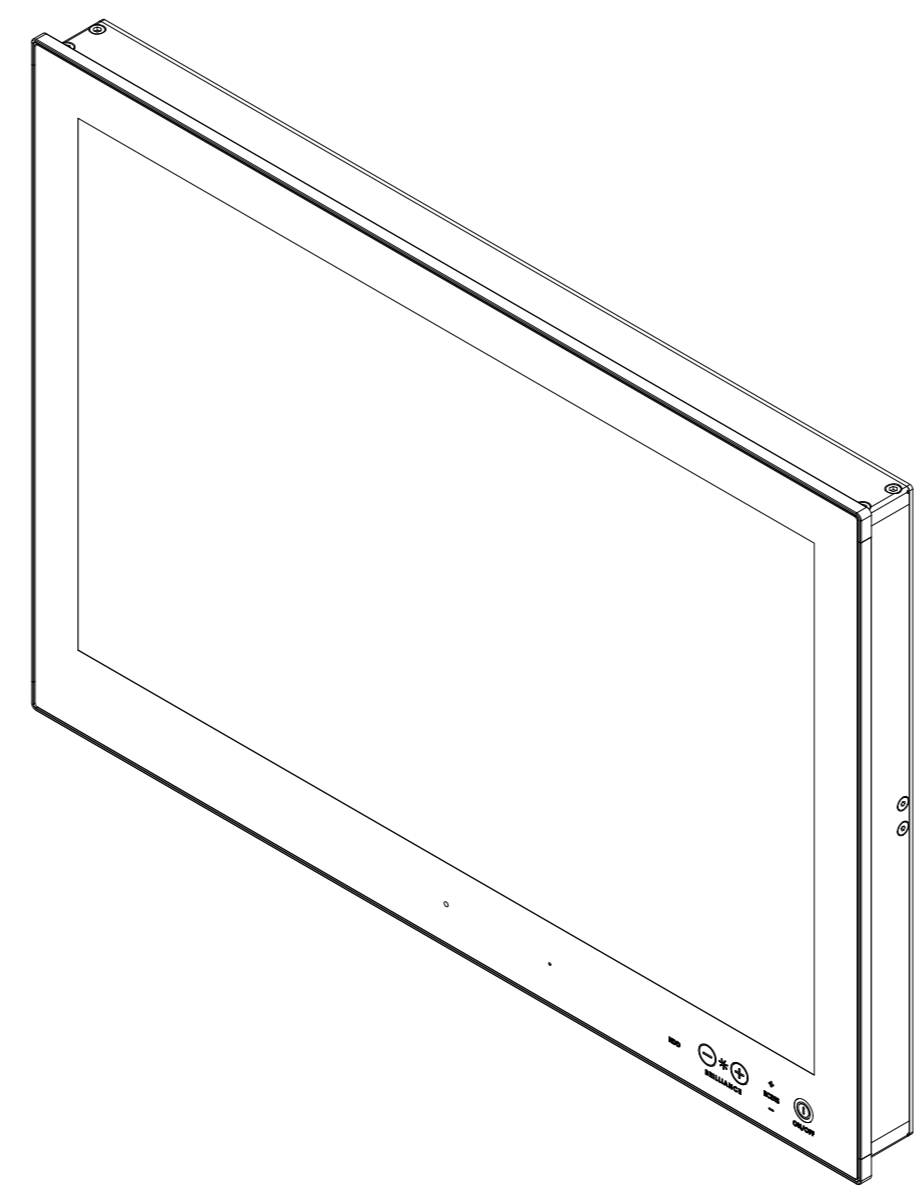
BACK VIEW



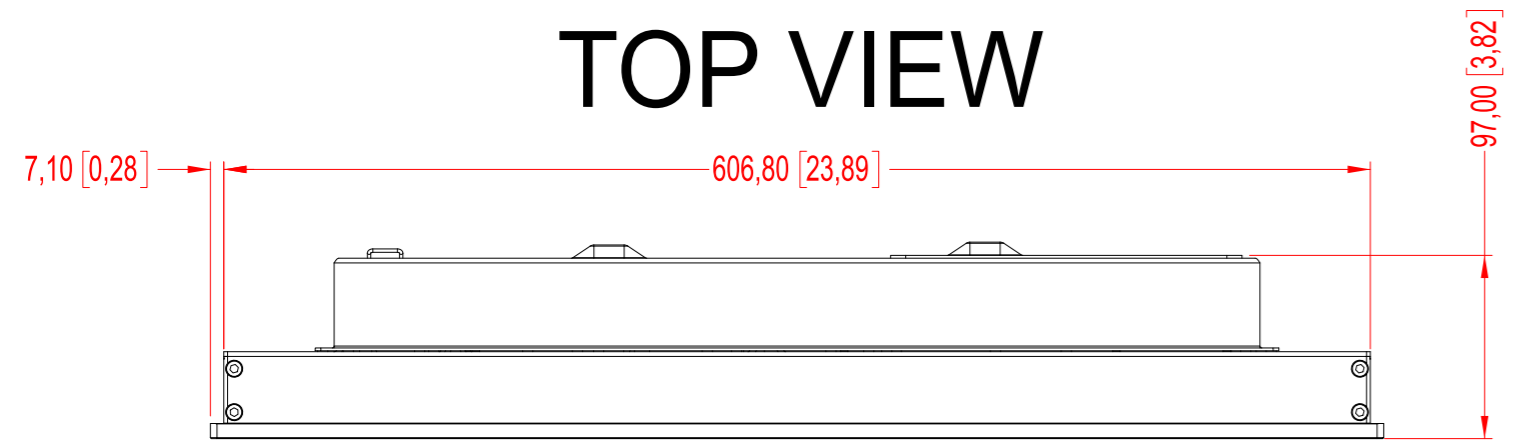
BOTTOM VIEW



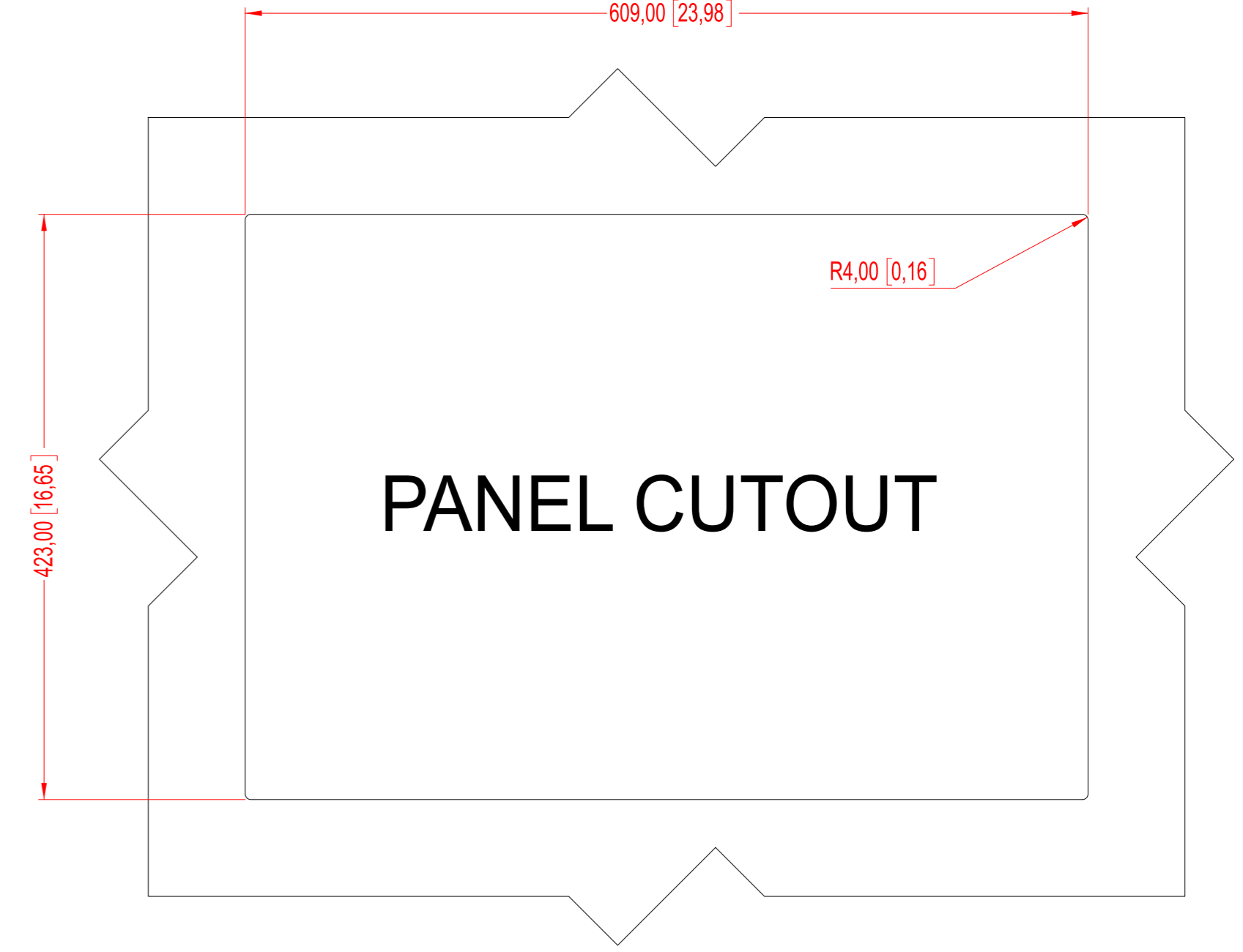
ISOMETRIC VIEW



TOP VIEW



PANEL CUTOUT



Units: mm [inches]

SALES DRAWING HD 26T22 MMC-M82-AAA02D
 shown in this drawing, but measurements generally apply for all HD 26T22 MxC-Mxx-xxxxxx models

Creation date / by: 17.01.17 / 8744	Projection:	A1	HATTELAND TECHNOLOGY an EMBRON Company
Last rev. date / by: /		Scale: 1:4	Approved by: _____
Hatteland Technology AS Eikeskogvegen 52 N-5570 Akedal		Tolerance: ISO 2768-mK	Revision: _____ Drawing number: Based on A010181